

Monoline Backed Bench



The Monoline Backed Bench is simple, the way things should be. Its lightness, comfort, and restrained lines allow the materials to shine - a perfect match for any space.

- wood slats: thermally modified ash or kebono clear
- aluminum slats: powder coated or designer aluminum
- all aluminum frame construction
- powder coated finish
- surface mounting required
- available in custom sizes
- ships fully assembled

PRODUCT:	LENGTH:	WIDTH:	HEIGHT:
ML-BENCH-48	48"	27"	38.5"
ML-BENCH-72	72"	27"	38.5"
ML-BENCH-96	96"	27"	38.5"



PRODUCT SPECIFICATIONS

ALL ALUMINUM FRAME CONSTRUCTION

POWDER COAT COLOR: _____

SLAT TYPE:

- THERMORY ASH
- KEBONY CLEAR
- POWDER COATED ALUMINUM
COLOR: _____

- DESIGNER ALUMINUM (DARK WALNUT)
- DESIGNER ALUMINUM (DARK CHERRY)
- OTHER

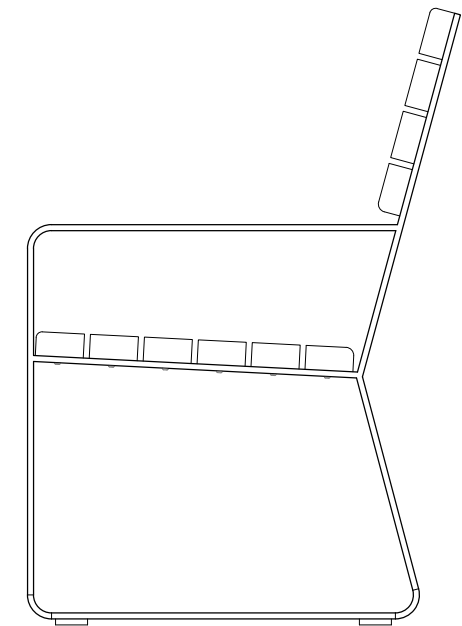
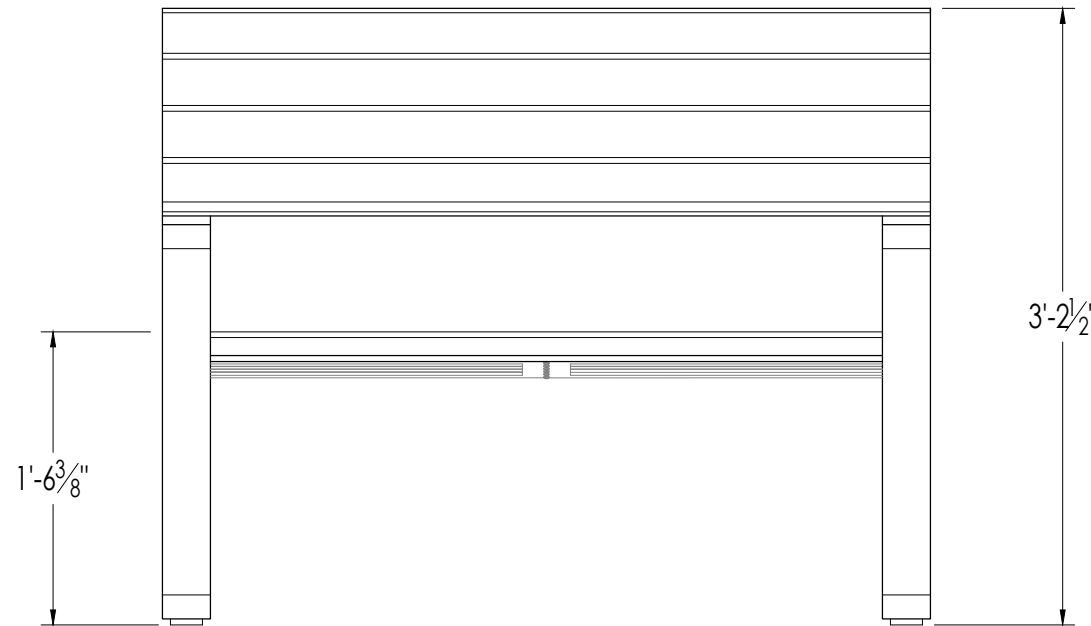
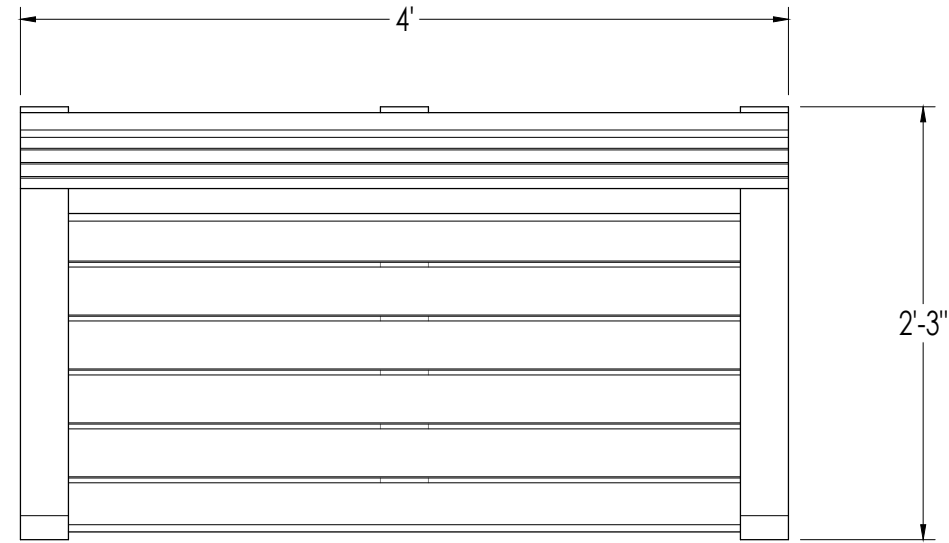
MOUNTING TYPE:

- FREESTANDING
- SURFACE MOUNTED
- RISER MOUNT

PRODUCT SHIPS FULLY ASSEMBLED

MOUNTING HARDWARE NOT INCLUDED

SEE INSTALLATION SHEET FOR ADDITIONAL INFORMATION



site pieces

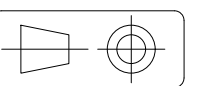
ALL DIMENSIONS ARE NOMINAL
ANY AND ALL INFORMATION ON THIS DRAWING
MAY BE PROPRIETARY TO SITE PIECES, LLC
AND MAY NOT BE COPIED OR ALTERED WITHOUT
PERMISSION FROM SITE PIECES, LLC.
3575 RINGSBY COURT #418 DENVER, CO 80216

PRODUCT: MONOLINE BACKED BENCH - 4'
PRODUCT #: ML-BENCH-48

SIZE: 48" X 27" X 38"
APPROXIMATE WEIGHT: 95 LBS
SCALE: 1"=1'0"

CREATION DATE: 2022-02-24
UPDATED: 3/13/2024

SHEET: 1/1



PRODUCT SPECIFICATIONS

ALL ALUMINUM FRAME CONSTRUCTION

POWDER COAT COLOR: _____

SLAT TYPE:

- THERMORY ASH
- KEBONY CLEAR
- POWDER COATED ALUMINUM
COLOR: _____

- DESIGNER ALUMINUM (DARK WALNUT)
- DESIGNER ALUMINUM (DARK CHERRY)
- OTHER

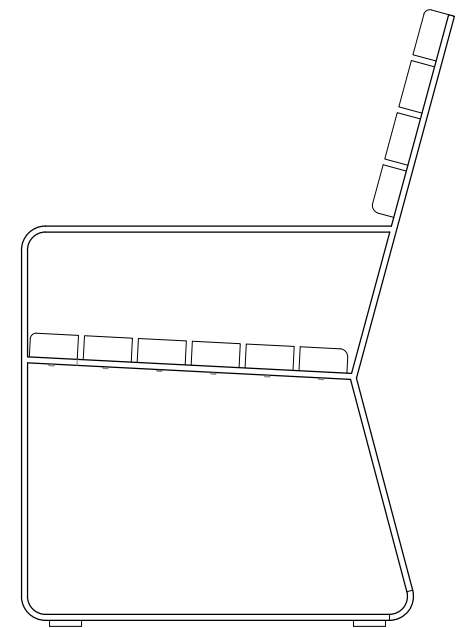
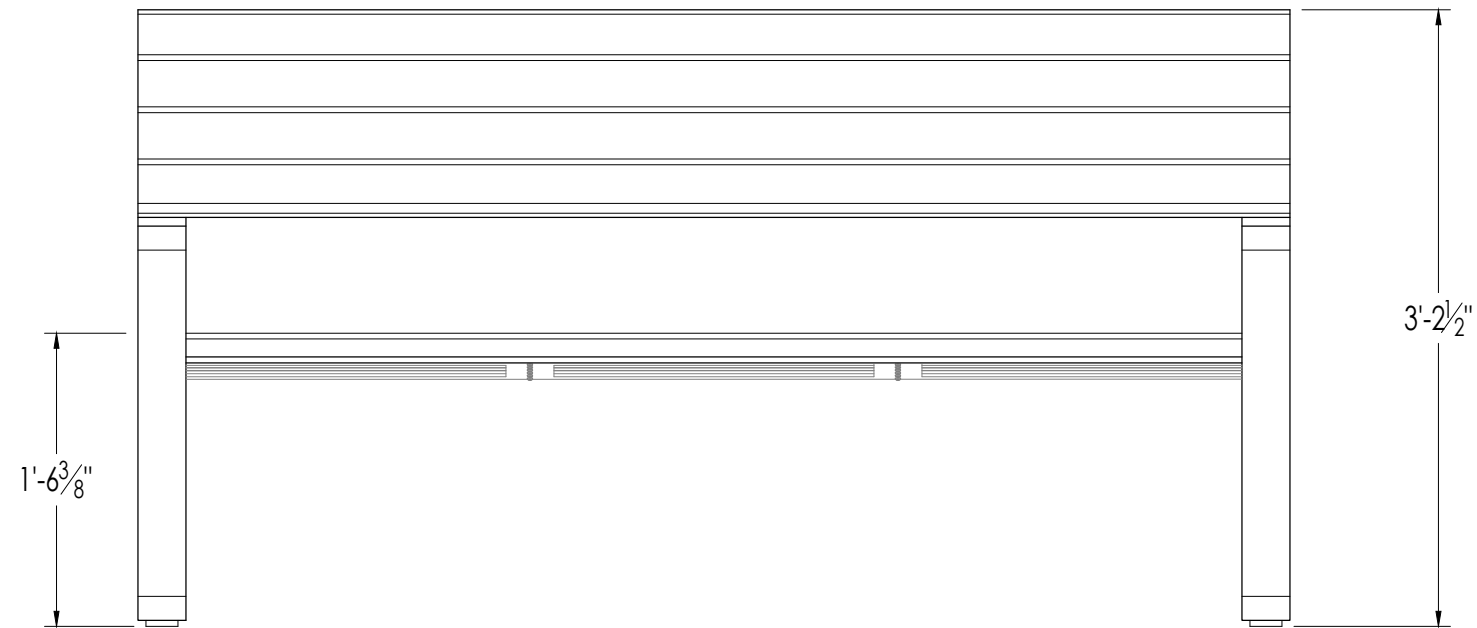
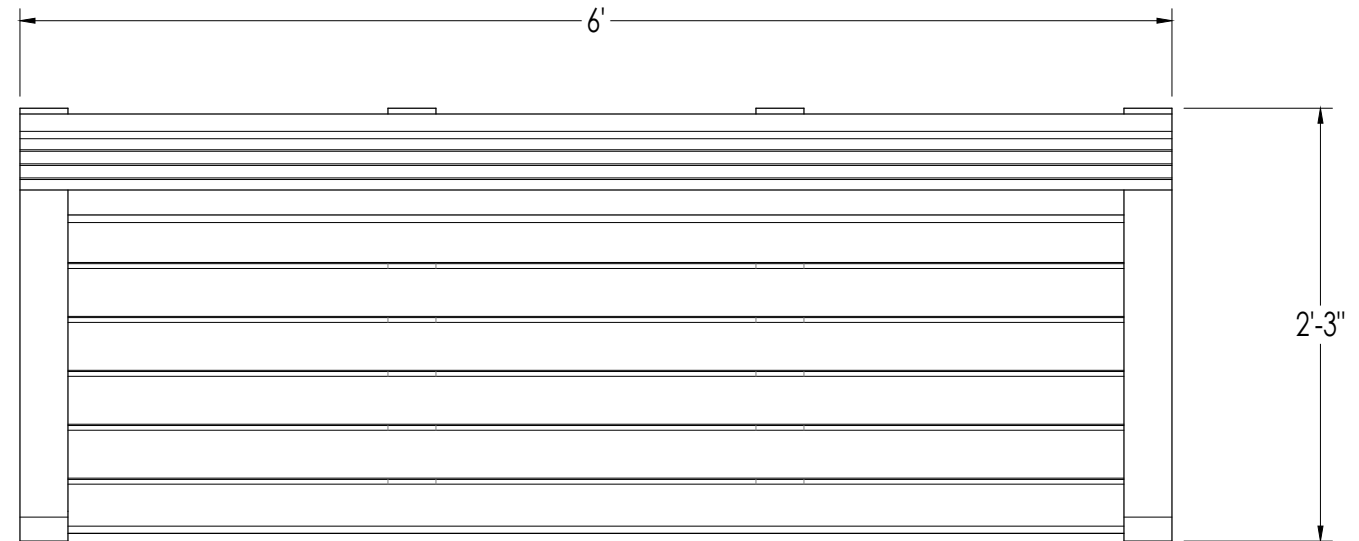
MOUNTING TYPE:

- FREESTANDING
- SURFACE MOUNTED
- RISER MOUNT

PRODUCT SHIPS FULLY ASSEMBLED

MOUNTING HARDWARE NOT INCLUDED

SEE INSTALLATION SHEET FOR ADDITIONAL INFORMATION



site pieces

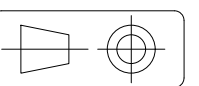
ALL DIMENSIONS ARE NOMINAL
ANY AND ALL INFORMATION ON THIS DRAWING
MAY BE PROPRIETARY TO SITE PIECES, LLC
AND MAY NOT BE COPIED OR ALTERED WITHOUT
PERMISSION FROM SITE PIECES, LLC.
3575 RINGSBY COURT #418 DENVER, CO 80214

PRODUCT: MONOLINE BACKED BENCH - 6'
PRODUCT #: ML-BENCH-72

SIZE: 72" X 27" X 38"
APPROXIMATE WEIGHT: 135 LBS
SCALE: 1"=1'0"

CREATION DATE: 2022-02-24
UPDATED: 3/13/2024

SHEET: 1/1



PRODUCT SPECIFICATIONS

ALL ALUMINUM FRAME CONSTRUCTION

POWDER COAT COLOR: _____

SLAT TYPE:

- THERMORY ASH
- KEBONY CLEAR
- POWDER COATED ALUMINUM
COLOR: _____

- DESIGNER ALUMINUM (DARK WALNUT)
- DESIGNER ALUMINUM (DARK CHERRY)
- OTHER

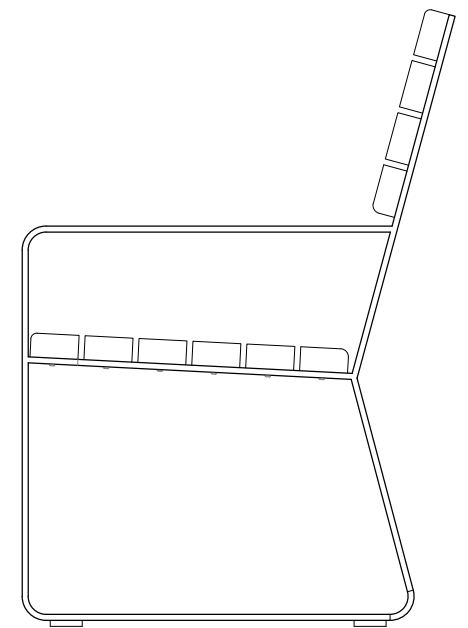
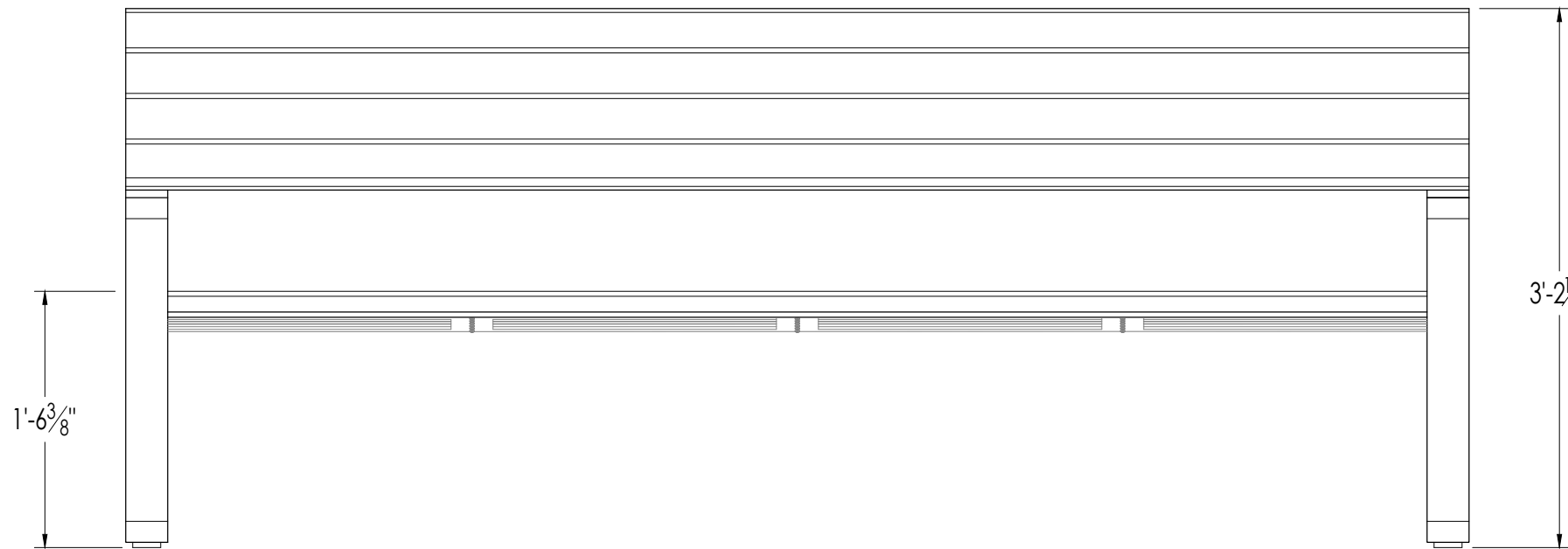
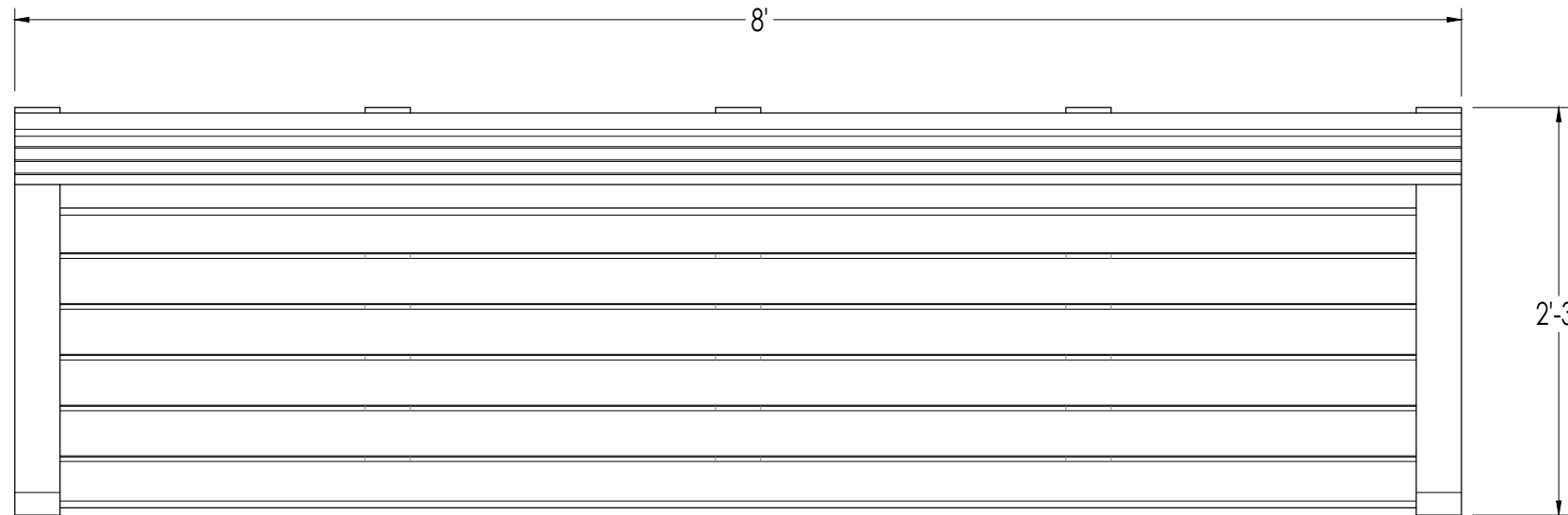
MOUNTING TYPE:

- FREESTANDING
- SURFACE MOUNTED
- RISER MOUNT

PRODUCT SHIPS FULLY ASSEMBLED

MOUNTING HARDWARE NOT INCLUDED

SEE INSTALLATION SHEET FOR ADDITIONAL INFORMATION



site pieces

ALL DIMENSIONS ARE NOMINAL
ANY AND ALL INFORMATION ON THIS DRAWING
MAY BE PROPRIETARY TO SITE PIECES, LLC
AND MAY NOT BE COPIED OR ALTERED WITHOUT
PERMISSION FROM SITE PIECES, LLC.
3575 RINGSBY COURT #418 DENVER, CO 80214

PRODUCT: MONOLINE BACKED BENCH - 8'
PRODUCT #: ML-BENCH-96

SIZE: 96" X 27" X 38"
APPROXIMATE WEIGHT: 180 LBS
SCALE: 1"=1'0"

CREATION DATE: 2022-02-24
UPDATED: 3/13/2024

SHEET: 1/1

