

Monoline Solid Series Link



The Monoline Solid Series Link is a flexible piece that can stand alone, be linked together, and paired with the Monoline Flat Bench to create your own network or benches. It's as comfortable in small courtyards as it is in large-scale plazas.

- wood slats: thermally modified ash or kebono clear
- aluminum slats: powder coated or designer aluminum
- all aluminum frame construction
- the Link has two mirrored forms that allow the profile of the frames to match when pushed together
- powder coated finish
- countersunk holes for surface mounting
- low friction glides for freestanding option
- ships fully assembled

PRODUCT:	LENGTH:	WIDTH:	HEIGHT:
ML-SS-LINK	71.9"	63.3"	18"
ML-SS-LINK-MI	71.9"	63.3"	18"

NOTE: "-MI" at the end of product number represents the mirrored option that is needed for the legs to match when pushed together



PRODUCT SPECIFICATIONS

ALL ALUMINUM FRAME CONSTRUCTION

POWDER COAT COLOR: _____

SLAT TYPE:

- THERMORY ASH
- KEBONY CLEAR
- POWDER COATED ALUMINUM
COLOR: _____

- DESIGNER ALUMINUM (DARK WALNUT)
- DESIGNER ALUMINUM (DARK CHERRY)
- OTHER

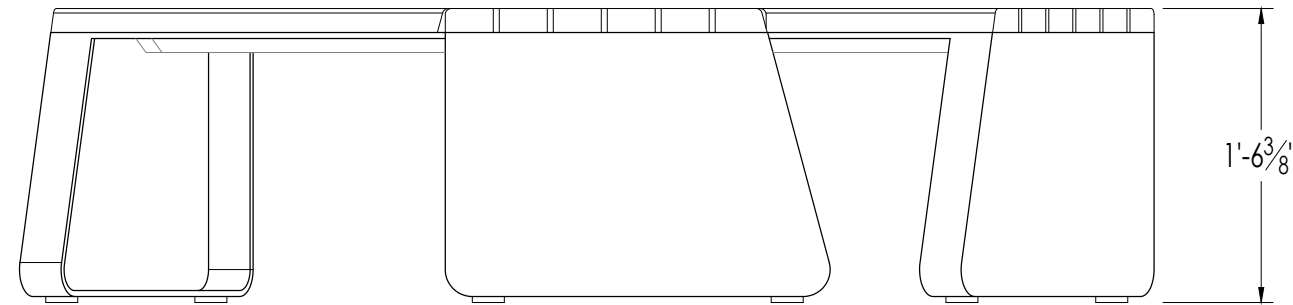
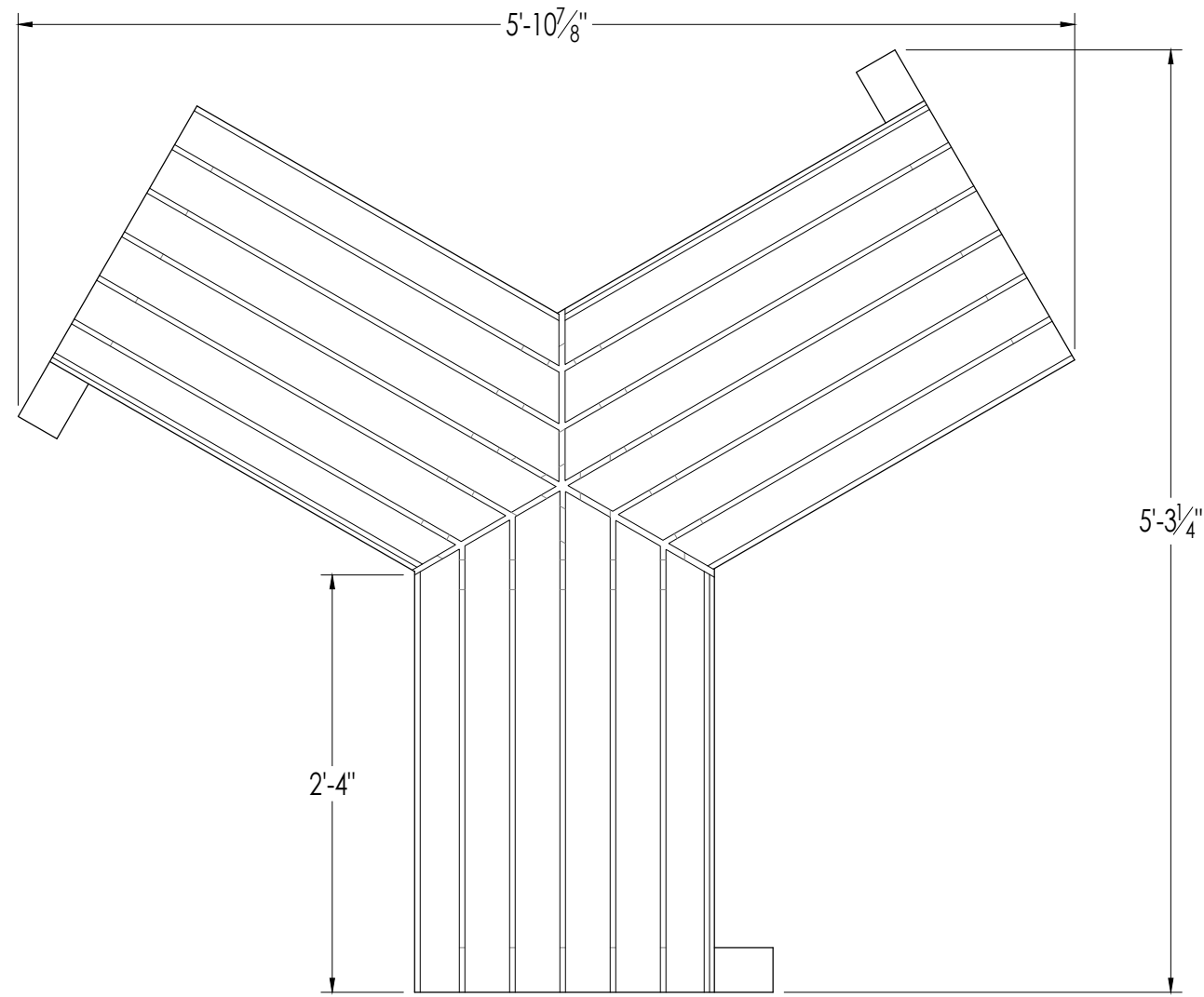
MOUNTING TYPE:

- FREESTANDING
- SURFACE MOUNTED
- RISER MOUNT

PRODUCT SHIPS FULLY ASSEMBLED

MOUNTING HARDWARE NOT INCLUDED

SEE INSTALLATION SHEET FOR ADDITIONAL INFORMATION



site pieces

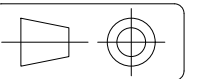
ALL DIMENSIONS ARE NOMINAL
ANY AND ALL INFORMATION ON THIS DRAWING
MAY BE PROPRIETARY TO SITE PIECES, LLC
AND MAY NOT BE COPIED OR ALTERED WITHOUT
PERMISSION FROM SITE PIECES, LLC.
3575 RINGSBY COURT #418 DENVER, CO 80216

PRODUCT: MONOLINE SOLID SERIES LINK BENCH
PRODUCT #: ML-SS-LINK

SIZE: 72" X 63" X 18"
APPROXIMATE WEIGHT: 80 LBS
SCALE: 1"=1'0"

CREATION DATE: 2022-02-24
UPDATED: 9/10/2024

SHEET: 1/1



PRODUCT SPECIFICATIONS

ALL ALUMINUM FRAME CONSTRUCTION

POWDER COAT COLOR: _____

SLAT TYPE:

- THERMORY ASH
- KEBONY CLEAR
- POWDER COATED ALUMINUM

COLOR: _____

- DESIGNER ALUMINUM (DARK WALNUT)
- DESIGNER ALUMINUM (DARK CHERRY)
- OTHER

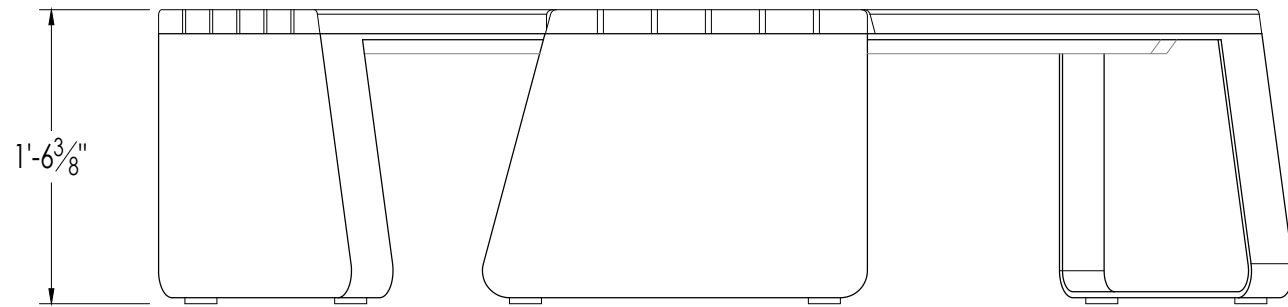
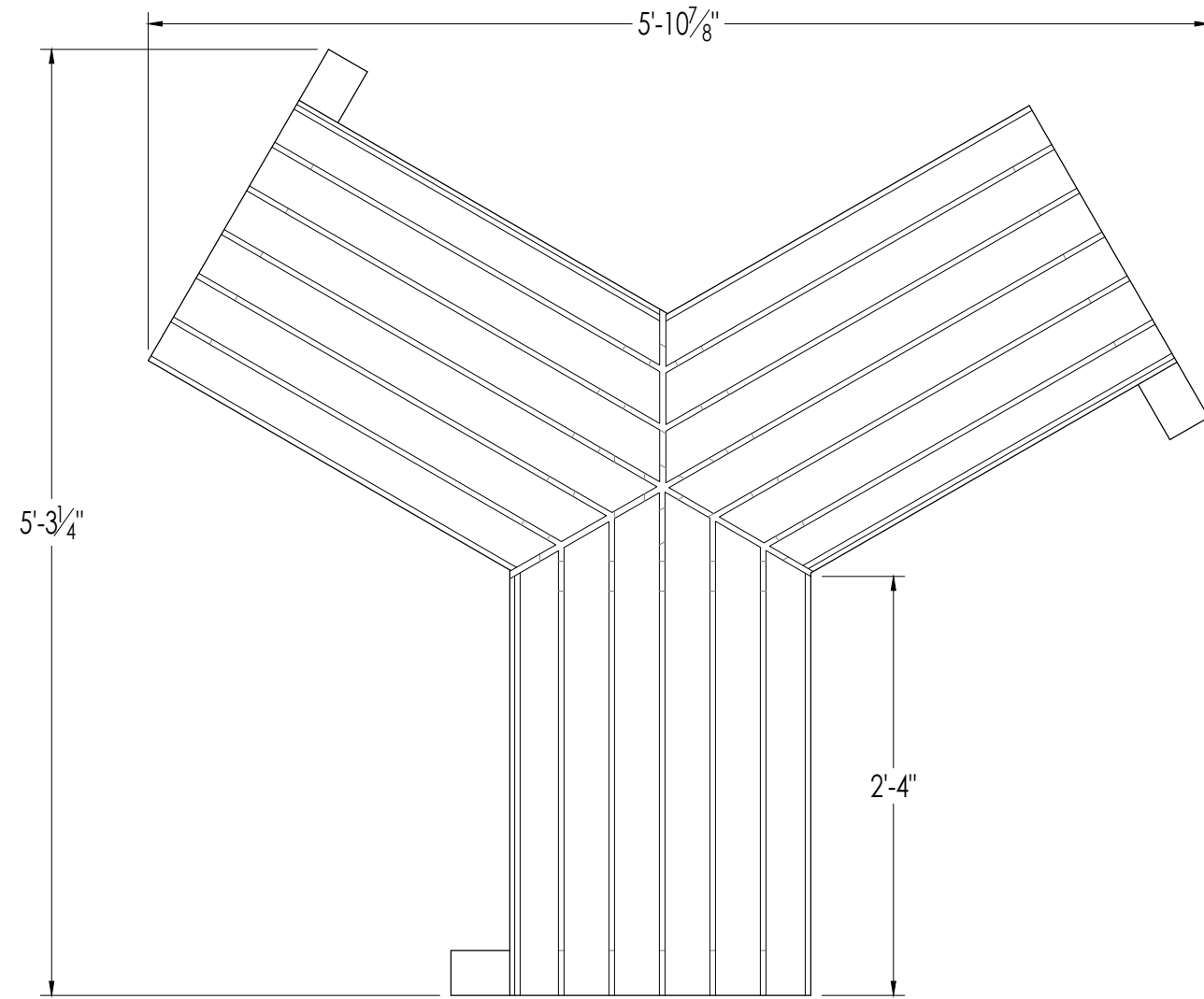
MOUNTING TYPE:

- FREESTANDING
- SURFACE MOUNTED
- RISER MOUNT

PRODUCT SHIPS FULLY ASSEMBLED

MOUNTING HARDWARE NOT INCLUDED

SEE INSTALLATION SHEET FOR ADDITIONAL INFORMATION



site pieces

ALL DIMENSIONS ARE NOMINAL
ANY AND ALL INFORMATION ON THIS DRAWING
MAY BE PROPRIETARY TO SITE PIECES, LLC
AND MAY NOT BE COPIED OR ALTERED WITHOUT
PERMISSION FROM SITE PIECES, LLC.
3575 RINGSBY COURT #418 DENVER, CO 80216

PRODUCT: MONOLINE SOLID SERIES LINK BENCH
PRODUCT #: ML-SS-LINK-MI

SIZE: 72" X 63" X 18"
APPROXIMATE WEIGHT: 80 LBS
SCALE: 1"=1'0"

CREATION DATE: 2022-02-24
UPDATED: 9/10/2024

SHEET: 1/1

