

MONOLINE STANDARD BIKE RACK

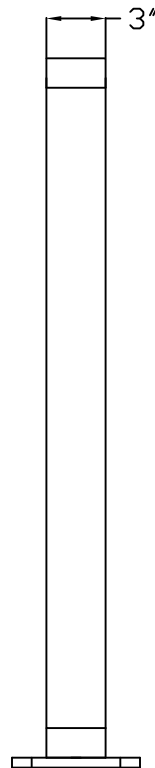
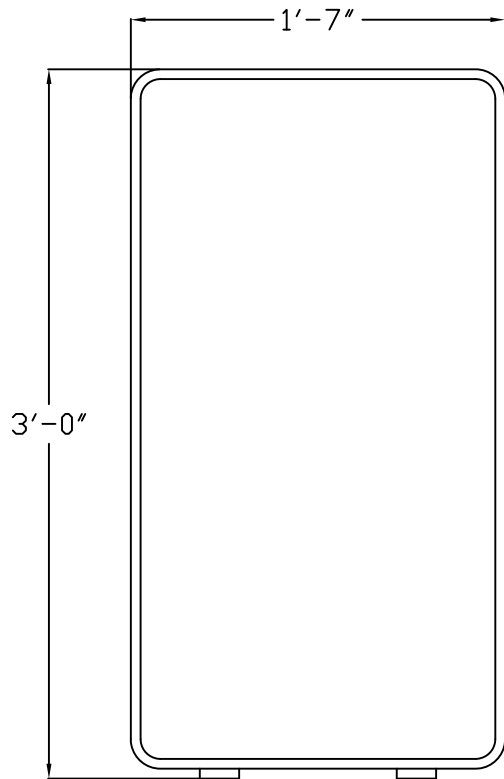
The Standard Bike Rack is a bigger version of the Core and the standard requirements of many municipalities for dimensions, two points of contact, and four anchoring points.

- all aluminum frame construction
- powder coated finish
- surface mount + in-ground mount options
- countersunk holes for surface mounting
- two-bike capacity

| product: | length: | width: | height: |
|---------------|---------|--------|---------|
| ML-STAND19 | 19" | 3" | 36" |
| ML-STAND19-IG | 19" | 3" | 36" |

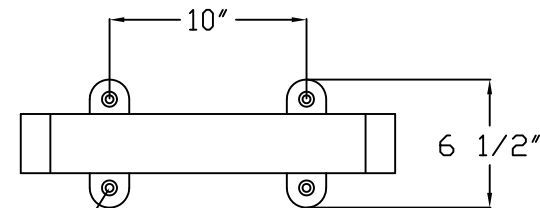
NOTE: "-IG" at the end of the product number represents the in-ground mount option





NOTES:

- ALL ALUMINUM CONSTRUCTION
- 1/2" PRE-DRILLED COUNTERSUNK HOLES FOR SURFACE MOUNTING
- SITE PIECES RECOMMENDS STAINLESS STEEL FLAT HEAD DROP-IN ANCHORS
- SHIPS FULLY ASSEMBLED



PRE-DRILLED
COUNTERSUNK HOLES

GENERAL NOTES: NOT DRAWN TO SCALE - CRITICAL DIMENSIONS

ALL DIMENSIONS ARE NOMINAL. ANY AND ALL INFORMATION ON THIS DRAWING IS PROPRIETARY AND BELONGS TO SITE PIECES, LLC. THIS DRAWING MAY NOT BE ALTERED WITHOUT PERMISSION FROM SITE PIECES, LLC. 3000 LAWRENCE ST. #57 DENVER, CO 80205

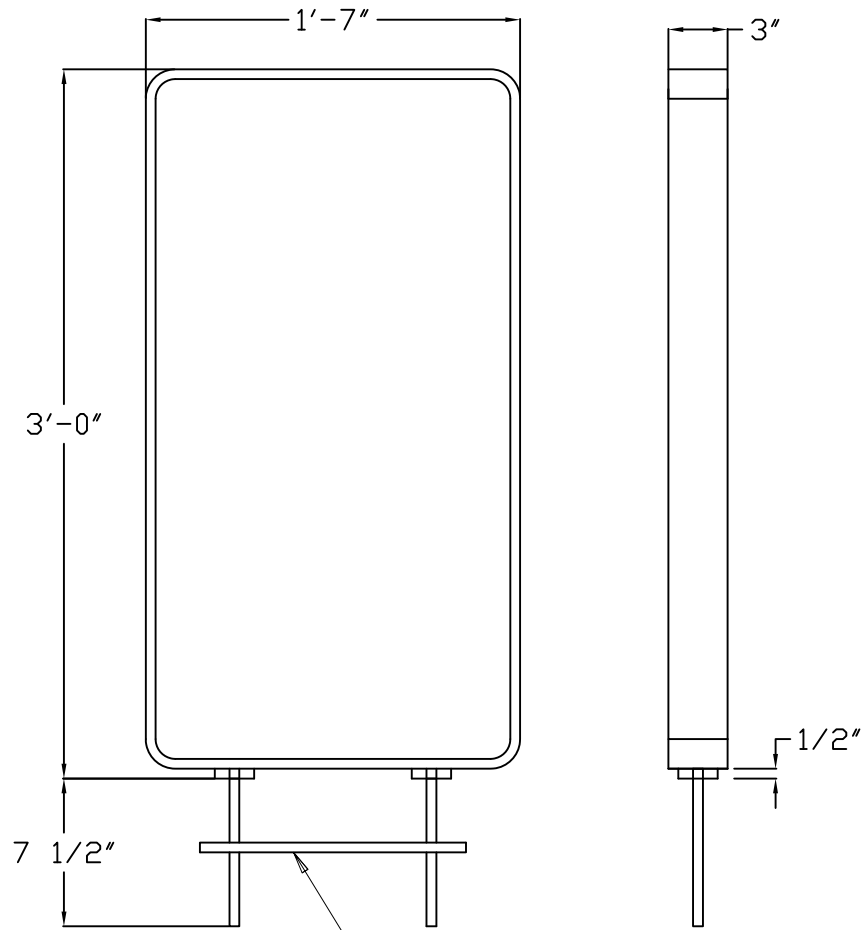
PRODUCT: ML-STAND19
DESCRIPTION: MONOLINE STANDARD BIKE RACK | SURFACE MOUNT

FINISHES: SEE PRODUCT MATERIAL SHEETS
SCALE: NTS

site pieces

SITE PIECES
3000 LAWRENCE STREET #57
DENVER, CO 80205

800.484.0797
www.sitepieces.com
hello@sitepieces.com



INGROUND MOUNT SYSTEM

NOTES:

- ALL ALUMINUM CONSTRUCTION
- 1/2" PRE-DRILLED COUNTERSUNK HOLES FOR SURFACE MOUNTING
- SITE PIECES RECOMMENDS STAINLESS STEEL FLAT HEAD DROP-IN ANCHORS
- SHIPS FULLY ASSEMBLED

GENERAL NOTES: NOT DRAWN TO SCALE - CRITICAL DIMENSIONS

ALL DIMENSIONS ARE NOMINAL. ANY AND ALL INFORMATION ON THIS DRAWING IS PROPRIETARY AND BELONGS TO SITE PIECES, LLC. THIS DRAWING MAY NOT BE ALTERED WITHOUT PERMISSION FROM SITE PIECES, LLC. 3000 LAWRENCE ST. #57 DENVER, CO 80205

PRODUCT: ML-STAND19-IG
 DESCRIPTION: MONOLINE STANDARD BIKE RACK | INGROUND MOUNT

FINISHES: SEE PRODUCT MATERIAL SHEETS
 SCALE: NTS

site pieces

SITE PIECES
 3000 LAWRENCE STREET #57
 DENVER, CO 80205

800.484.0797
 www.sitepieces.com
 hello@sitepieces.com